

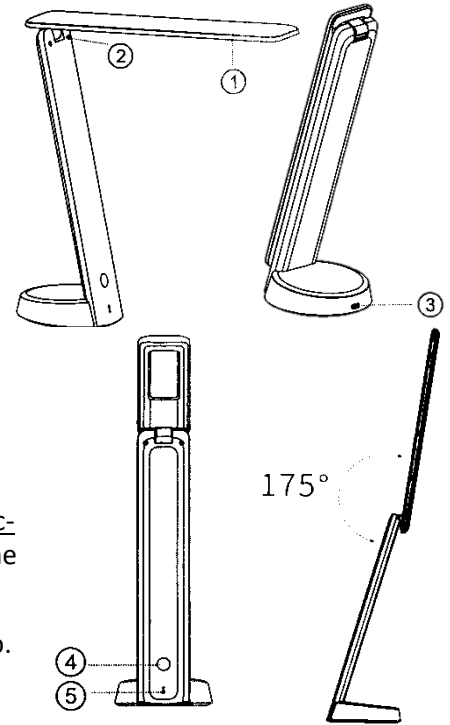


User Guide for Lumina Mobile Portable Desk Lamp

Features of Lumina Mobile

The illustrations at right shows the main features of Lumina Mobile:

1. Lamp head.
2. Hinge allowing the positioning of the lamp head up to 175 degrees, as shown in the lower-right drawing.
3. Connection for charging via the supplied cable.
4. Touch-sensitive recessed button
5. Indicator light



Charging

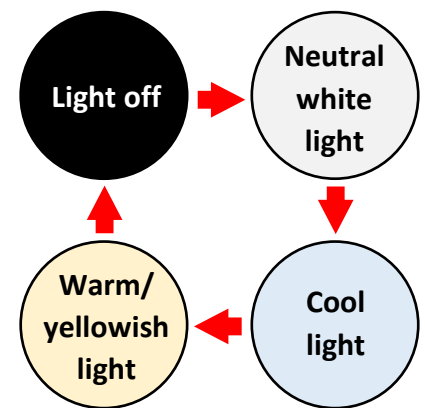
Your Lumina Mobile comes with a USB C cable, but *without* a power adapter for charging. You can use the charger that comes with cell phones using the Android system with your Lumina Mobile. Please verify that the charger you use can supply at least 1,5 A (1500 mA) of current. Do **not** connect Lumina Mobile to a USB connection on a computer or similar device, as this may damage the USB connection on the device!

Insert the small connector of the supplied cable into the back of Lumina Mobile (no. 3), and the large connector into a suitable power adapter. Plug the adaptor into a vacant wall outlet and verify that the power is turned on at the outlet.

During charging the indicator light (no. 5) is red. If the battery was nearly empty when charging began, a full charging will take approx. 2–2½ hour. When charging is complete, the indicator light turns off; remove the connector from Lumina Mobile and unplug the power adapter from the wall outlet.

Turning On/Off, and choosing colour temperature

By touching the button (no. 4) *briefly* one or more times, you can toggle the lamp between off, neutral white light, cool light, and warm/yellowish light. When the lamp is on, the indicator light will be blue.



Dimming the Light

Touch the button (no. 4), *og keep your finger on the button* for a few seconds; this will either increase or decrease the light intensity. If the light intensity is changing in the “wrong direction” (e.g. decreasing when you want it to increase), remove your finger and then touch the button again (*keeping the finger on the button* for a few seconds); this will change the light intensity in the opposite direction.

Technical Specifications

Power Consumption	7,5 W max.	Colour Temperatures	3000K, 3800K and 5000K
Run time	2-50 hours after a full charge	Colour rendition (Ra)	> 80
Size and Weight	29cm/11" tall, ø10cm/4" base, 390 g/14 oz	Light sources	Fixed SMD-LEDs
Luminous Flux	165 lumens max.	Charge time	2-2½ hours max.